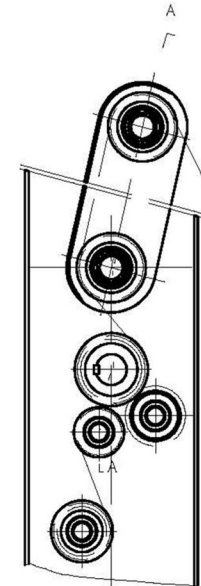
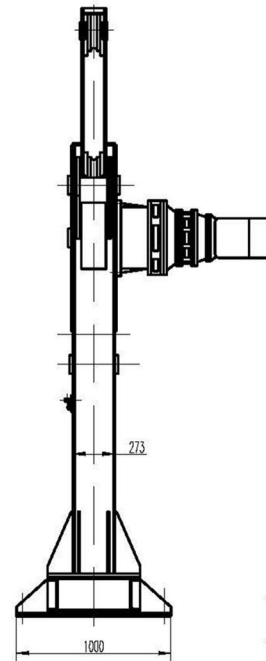
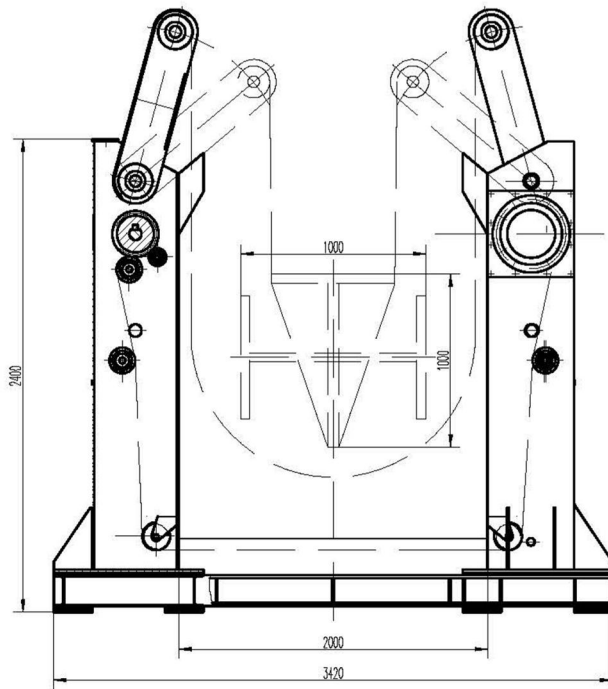


I BEAM ROTATOR

IRIZAR

IRIZAR HEAVY INDUSTRIES INC
1512 ADAMSON VIEW, EDMONTON
ALBERTA T6W 0V4, CANADA
PHONE: 1 780 450 6695
WEB: WWW.IRIZAR.COM



Workpiece Max Dimensions : 1000 x 1000 mm

Workpiece Min Dimensions: 200 x 200 mm

Workpiece Max Length: 15,000 mm

Workpiece Max Weight: 5,000 kg

Main motor: 2.2kw