

SPECS

1. Load and rotation capacity (metric tons): 20
2. Vessel diameter range (round pieces): From 250 up to 4,000 mm
3. Variable speed: From 100 up to 1,000 mm/min
4. Rollers mounted on non-motorized bogies: Included
5. Wheels center to center distance adjusted by means of manual screw drive: Included
6. Power Rotator height: Fixed
7. Idler Rotator height: 400 mm (up-down) with motor screw lifter
8. Stroke calculation: $(\text{Cone "D"} - \text{Cone "d"}) / 2$

CONE ROTATOR WR 20

IRIZAR

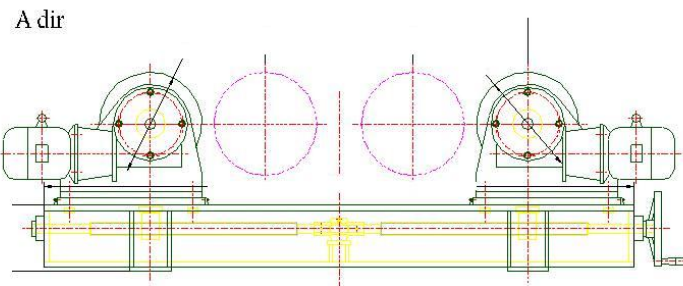
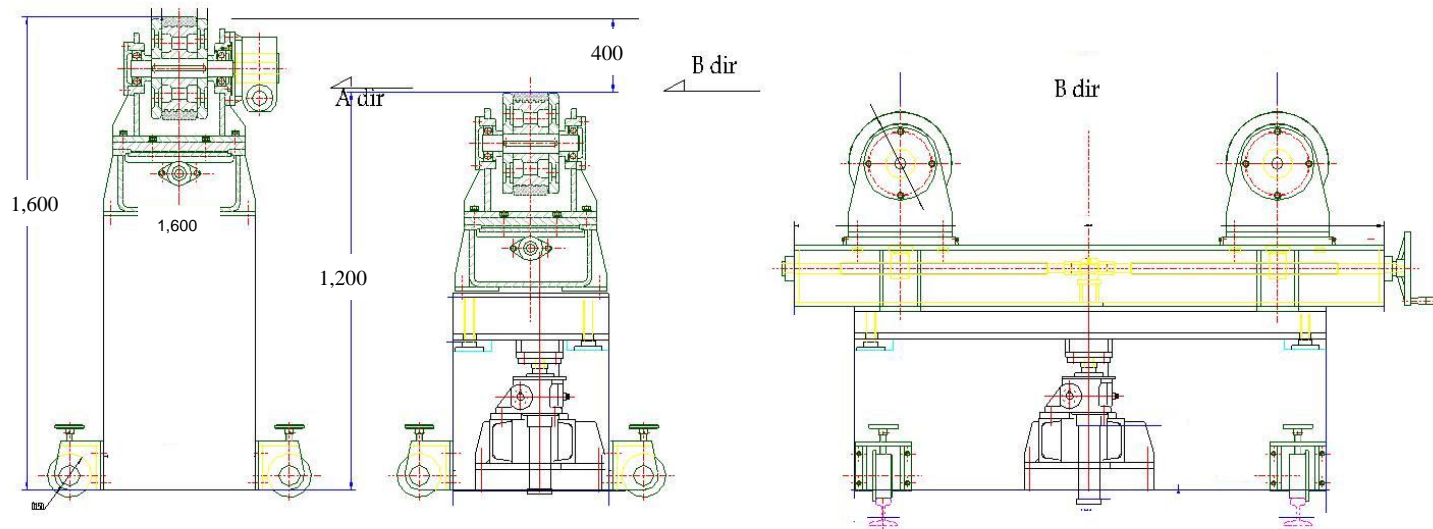
IRIZAR HEAVY INDUSTRIES INC

1512 ADAMSON VIEW, EDMONTON ALBERTA

T6W 0V4, CANADA

PHONE: 1 780 450 6695

WEB: WWW.IRIZAR.COM



CONE ROTATOR MODEL WR 40

1. Power Rotator

- Variable speed from 100 up to 1,000 mm/min
- Diameter range: From 250 up to 4,000 mm
- Fixed height of 1,600 mm
- Max 40 ton rotation capacity
- Max 20 ton load capacity
- Center to center distance adjusted by manual screw drive
- Steel wheels not covered for support flanges thickness from 81 to 157 mm
- Mounted over non-motorized bogies with manual brake
- Stopper to avoid moving flange due to screw effect (need to added to the drawing)

2. Idler Rotator

- Diameter range: From 250 up to 4,000 mm
- Adjustable height from 1,200 up to 1,600 mm with motor screw lifter 300 mm (up-down), Required 200 mm. See table at your left
- Max 20 ton load capacity
- Max 20 ton lifting capacity
- Center to center distance adjusted by manual screw drive
- Wheels covered with heavy duty rubber
- Mounted over non-motorized bogies with manual brake

IRIZAR

IRIZAR HEAVY INDUSTRIES INC
 1512 ADAMSON VIEW, EDMONTON ALBERTA
 T6W 0V4, CANADA
 PHONE: 1 780 450 6695
 WEB: WWW.IRIZAR.COM