

PIPE FIT UP ASSEMBLING

PIPE FIT UP ASSEMBLY # 1A

MODEL 53000

- a. HYDRAULIC LIFT ARMS
- b. **MOTORIZED FEEDING**
- c. **MOTORIZED ROTATION** BY MEANS OF CONVENTIONAL WELDING ROTATOR MODEL WR 20 (ONE POWER + ONE IDLER). MAX LOAD AND ROTATION CAPACITY OF 20 TONS/SET
- d. OUT SIDE PIPE DIAMETER RANGE: FROM 400 TO 1000 MM
- e. ADJUSTABLE WORKING HEIGHT FROM 800 TO 950 MM: BY MEANS OF HYDRAULIC LIFT DRIVE PUSHER
- f. ROTATION SPEED: FROM 80 TO 1,600 MM/MIN
- g. SYNCHRONIZED DEVICE WITH 20 M CORDON CABLE FOR TWO POWER ROTATORS OF ASSEMBLING "1A": ONE DEVICE INCLUDED ONLY. ADDITIONAL AVAILABLE AT EXTRA COST

NOTE:

ONE SINGLE EQUIPMENT IS COMPOSED BY FOLLOWING COMPONENTS:

ASSEMBLING # 1A: TWO UNITS
ASSEMBLING # 1B: SIX UNITS

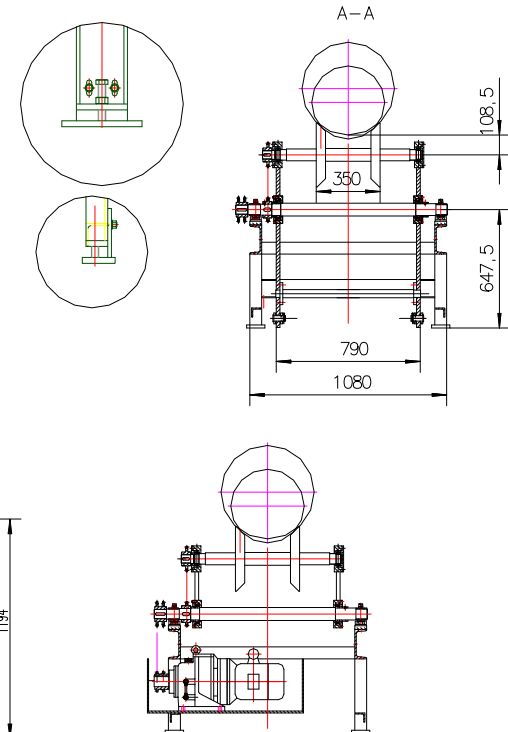
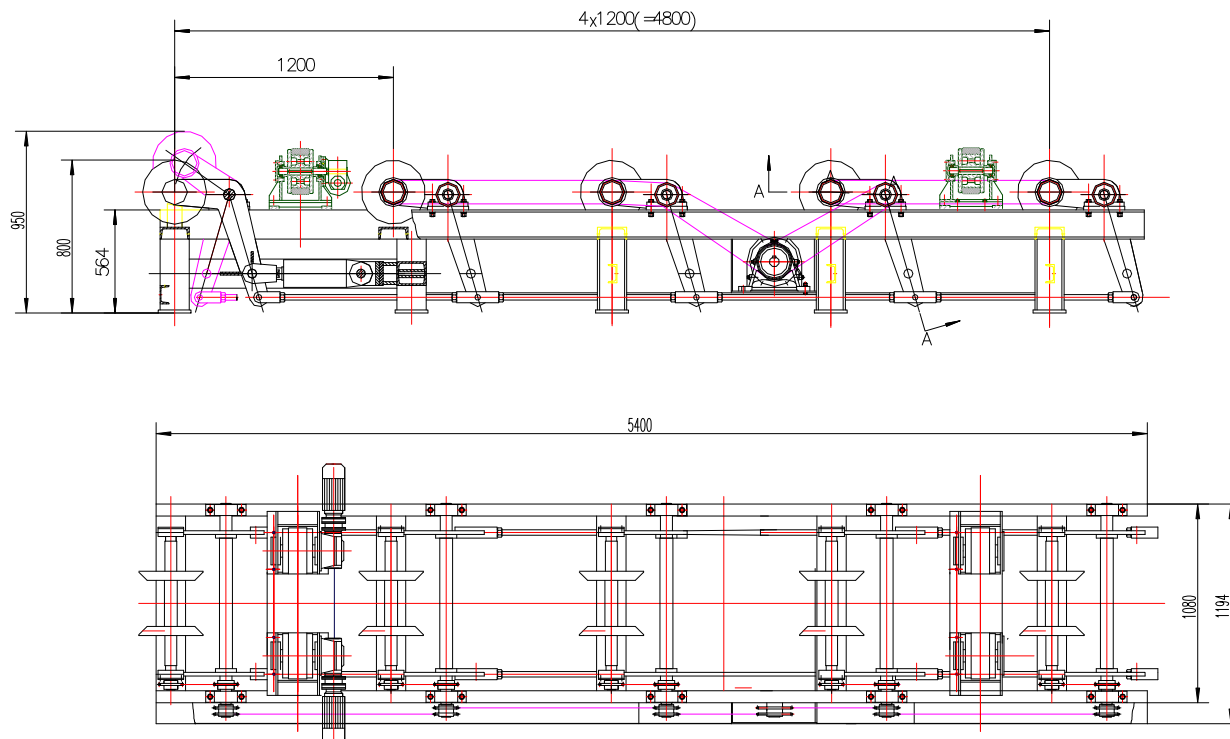
TOTAL: EIGHTH UNIT FORMING ONE PRODUCTION LINE OF 68.M LENGTH

TWO POWER ROTATORS ARE SYNCRONIZED

PIPE FIT UP ASSEMBLING

IRIZAR

IRIZAR HEAVY INDUSTRIES INC
1512 ADAMSON VIEW, EDMONTON
ALBERTA T6W 0V4, CANADA
PHONE: 1 780 450 6695
WEB: WWW.IRIZAR.COM



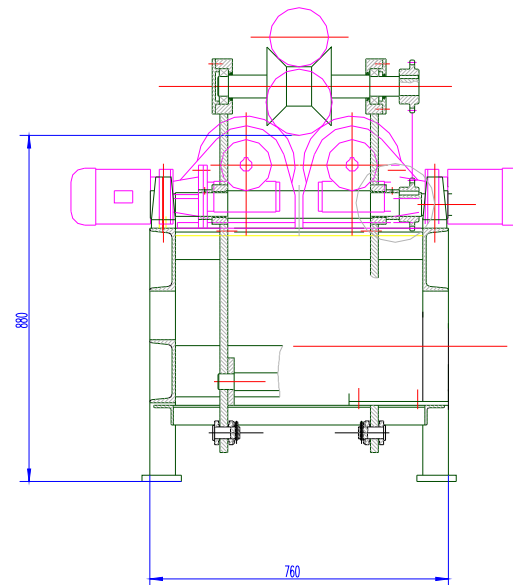
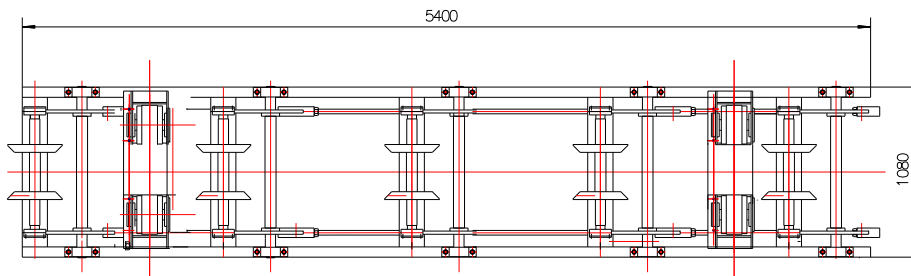
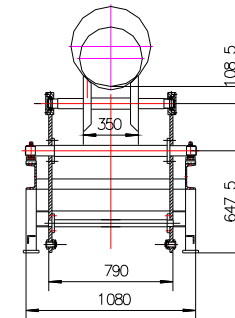
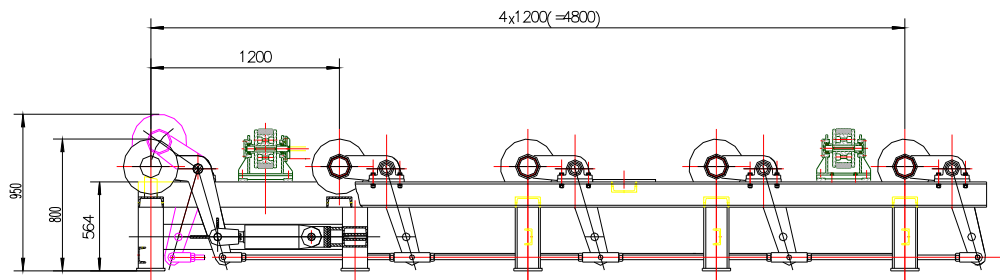
**PIPE FIT UP ASSEMBLY # 1B
MODEL 48000**

- a. HYDRAULIC LIFT ARMS
- b. **IDLER FEEDING**
- c. **IDLER ROTATION**
- d. IDLER WELDING ROTATORS MODEL IR 20: TWO UNITS.
MAXIMUM LOAD CAPACITY (TWO IDLERS): 20 TONS
OUT SIDE PIPE DIAMETER RANGE: 400 TO 1000 MM
- e. ADJUSTABLE WORKING HEIGHT FROM 800 TO 950 MM:
BY MEANS OF HYDRAULIC LIFT DRIVE PUSHER

PIPE FIT UP ASSEMBLING



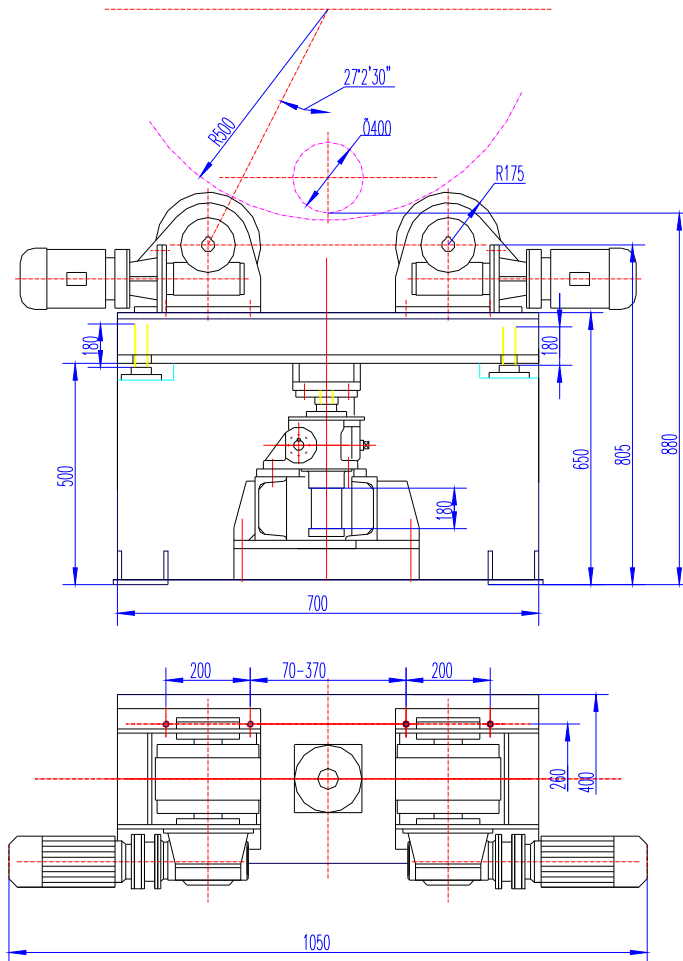
IRIZAR HEAVY INDUSTRIES INC
1512 ADAMSON VIEW, EDMONTON
ALBERTA T6W 0V4, CANADA
PHONE: 1 780 450 6695
WEB: WWW.IRIZAR.COM



PIPE WELDING ASSEMBLING

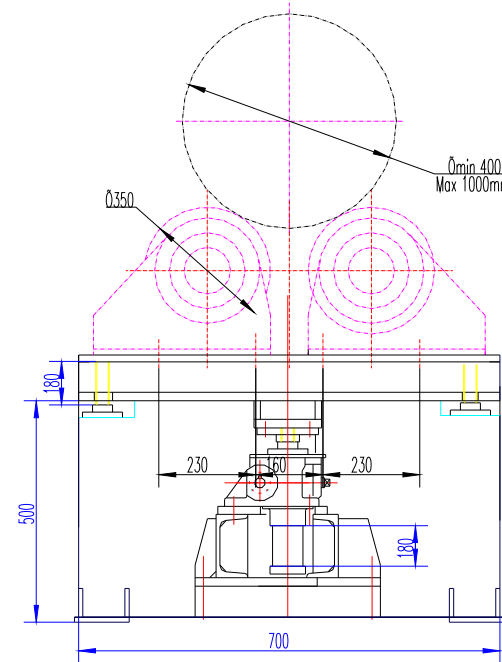
PIPE WELDING ASSEMBLY # 2A MODEL 34000

- a. **CONVENTIONAL WELDING ROTATOR MODEL WR 20 (ONE POWER + ONE IDLER). MAXIMUM LOAD AND ROTATION CAPACITY: 20 TONS/SET**
- b. OUT SIDE PIPE DIAMETER RANGE: FROM 400 TO 1,000 MM
- c. ROTATION SPEED RANGE: 80 TO 1,600 MM/MIN
- d. ADJUSTABLE WORKING HEIGHT FROM 800 TO 950 MM: BY MEANS OF HYDRAULIC LIFT DRIVE PUSHER
- e. SYNCHRONIZED DEVICE OF TWO POWER ROTATORS : ONE INCLUDED. ADDITIONAL AT EXTRA COST



PIPE WELDING ASSEMBLY # 2B MODEL 13100

- a. **IDLER WELDING ROTATORS MODEL IR 20: ONE UNIT. MAXIMUM LOAD CAPACITY: 10 TONS**
- b. OUT SIDE PIPE DIAMETER RANGE: FROM 400 TO 1000 MM
- c. ADJUSTABLE WORKING HEIGHT FROM 800 TO 950 MM: BY MEANS OF HYDRAULIC LIFT DRIVE PUSHER



PIPE WELDING

IRIZAR

IRIZAR HEAVY INDUSTRIES INC
1512 ADAMSON VIEW, EDMONTON
ALBERTA T6W 0V4, CANADA
PHONE: 1 780 450 6695
WEB: WWW.IRIZAR.COM

NOTE:

UNITS REQUIRED: AS NEEDED

TWO POWER ROTATORS SYNCRONIZED. WE CAN SYNCRONIZED AT EXTRA COST AS NEEDED



PIPE LINE

IRIZAR

IRIZAR HEAVY INDUSTRIES INC
1512 ADAMSON VIEW, EDMONTON
ALBERTA T6W 0V4, CANADA
PHONE: 1 780 450 6695
WEB: WWW.IRIZAR.COM